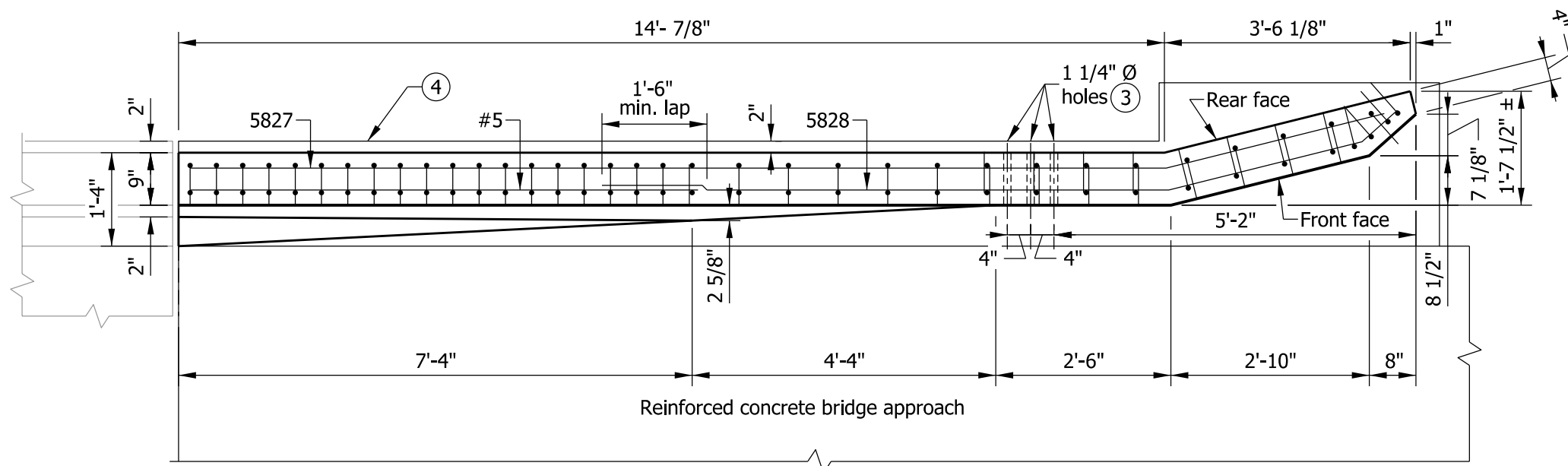


ELEVATION



PLAN

NOTES

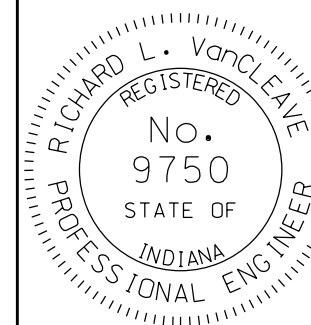
1. See Standard Drawing E 706-TWFC-02 for sections.
2. See Standard Drawing E 706-TWFC-03 for reinforcing-bar diagrams and bill of materials.
- ③ Holes for attachment of guardrail transition type WGB. See Standard Drawing E 706-CBRT-02 for details.
- ④ RCBA extension for bridge railing transition type WFC. See Standard Drawing E 609-TBAE-03 for details.

INDIANA DEPARTMENT OF TRANSPORTATION

CONCRETE BRIDGE RAILING
TRANSITION TYPE WFC

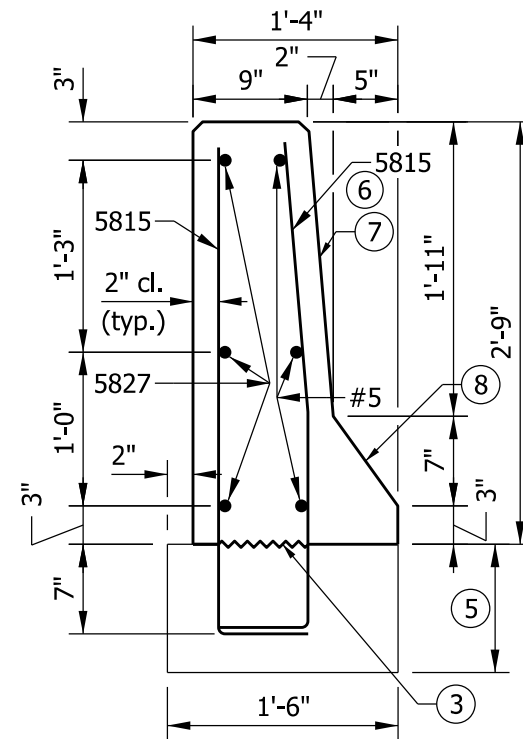
SEPTEMBER 2012

STANDARD DRAWING NO. E 706-TWFC-01

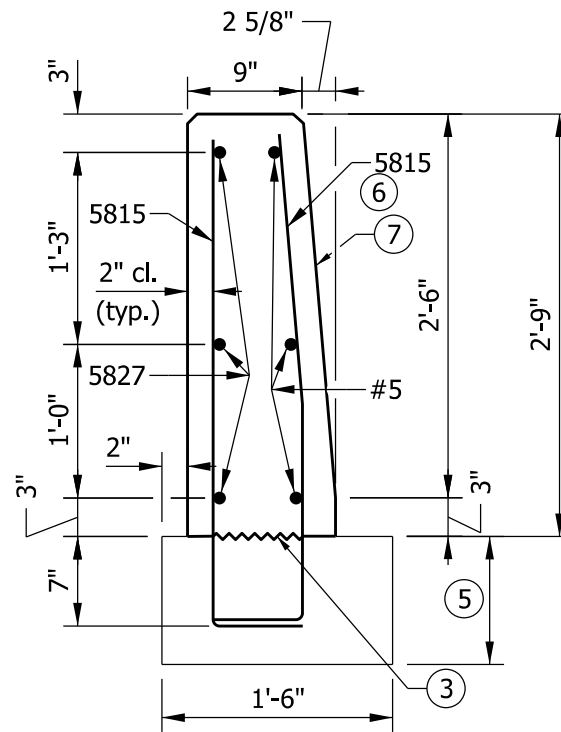


/s/ *Richard L. VanCleave* 09/04/12
SUPERVISOR, ROADWAY STANDARDS DATE

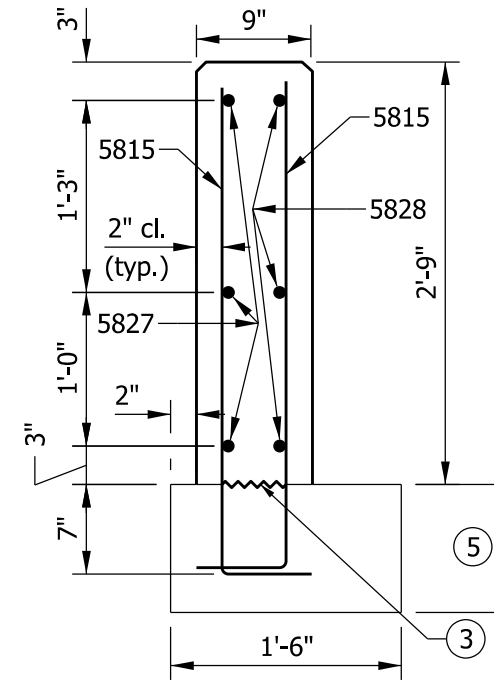
/s/ *Mark A. Miller* 09/04/12
CHIEF ENGINEER DATE



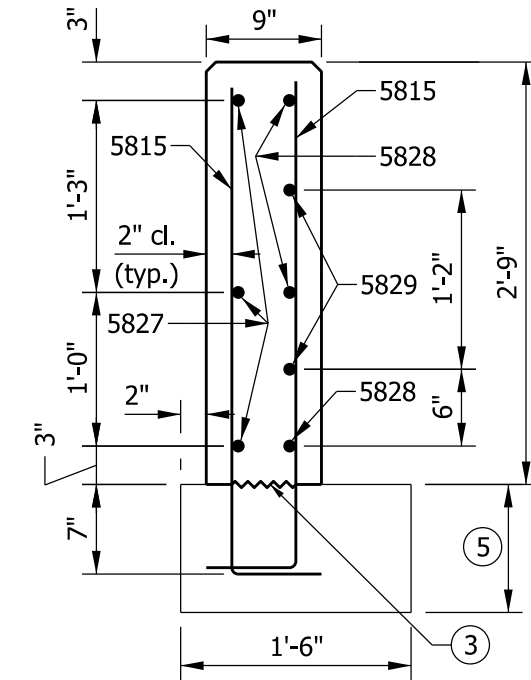
SECTION A-A



SECTION B-B



SECTION C-C



SECTION D-D

NOTES

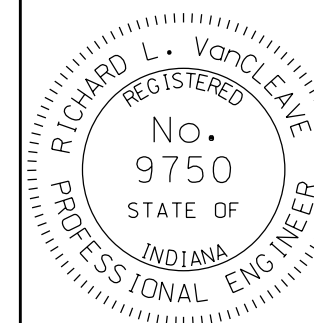
1. See Standard Drawing E 706-TWFC-01 for elevation and plan.
2. All chamfered edges shall be 3/4".
- ③ Construction joint type A. See Standard Drawing E 702-CJTA-01 for details.
4. See Standard Drawing E 706-TWFC-03 for reinforcing-bar diagrams.
- ⑤ RCBA extension for bridge railing transition type WFC. See Standard Drawing E 609-TBAE-03 for details.
- ⑥ These bars shall be field bent to provide 2" clearance along the front face batter.
- ⑦ Constant 1:11 batter.
- ⑧ Constant 5:7 batter.

INDIANA DEPARTMENT OF TRANSPORTATION

CONCRETE BRIDGE RAILING
TRANSITION TYPE WFC

SEPTEMBER 2012

STANDARD DRAWING NO. E 706-TWFC-02



/s/ *Richard L. VanCleave* 09/04/12

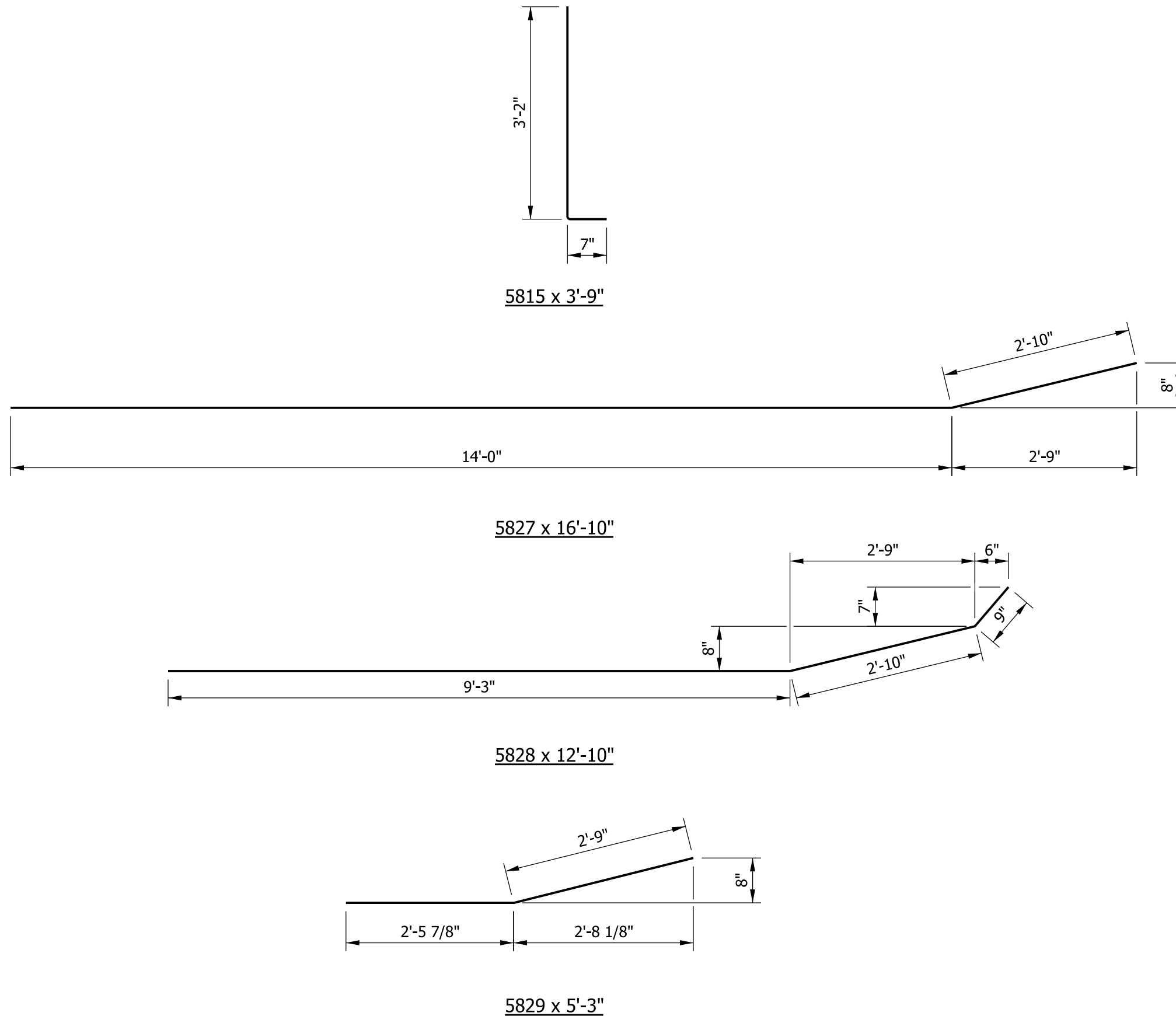
SUPERVISOR, ROADWAY STANDARDS DATE

/s/ *Mark A. Miller* 09/04/12

CHIEF ENGINEER DATE

NOTE

1. See Standard Drawing E 703-BRST-01 for reinforcing-bar bending details and notes.



BILL OF MATERIALS			
Quantities are for one concrete bridge railing transition type WFC			
EPOXY-COATED REINFORCING STEEL			
MARK OR SIZE	NO. OF BARS	LENGTH	WEIGHT
5815	71	3'-9"	
5827	3	16'-10"	
5828	3	12'-10"	
5829	2	5'-3"	
#5	3	7'-3"	
Total Epoxy-Coated Reinforcing Steel			404 LBS
MISCELLANEOUS			
Concrete, Class C			1.6 CYS
Surface Seal			113 SYS

INDIANA DEPARTMENT OF TRANSPORTATION

**CONCRETE BRIDGE RAILING
TRANSITION TYPE WFC**

SEPTEMBER 2012

STANDARD DRAWING NO. E 706-TWFC-03

	/s/ <i>Richard L. VanCleave</i> 09/04/12
	SUPERVISOR, ROADWAY STANDARDS DATE
	/s/ <i>Mark A. Miller</i> 09/04/12
	CHIEF ENGINEER DATE